



ndis

T: 1300 240 298

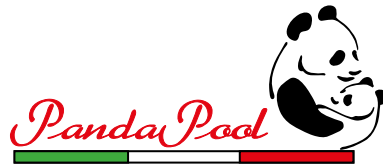
E: info@pool-lift.com.au

www.pool-lift.com.au



PANDA

Mobile Pool Lift



ndis

Certifications and Patent

- Patent MN2013U1
- Directive 93/42/EEC - Medical Devices - DM 1087746/R
- Directive 2006/42/EC - Machinery Directive
- Directive 2004/108/EC - EMC Electromagnetic Compatibility
- European registered design No.0021782020001



Powered Portable Panda Pool lift, avant-garde technology

A Real Dream!

Panda Pool, the powered portable pool lift: it is innovative in its features thanks to the control bar with automatic traction, no efforts required by the operator. Improved autonomy and capacity up to 150 kg.

Maximum safety degree thanks to 8 safety levels. All this makes Panda Pool the universal reference for pool lifts.



1



2

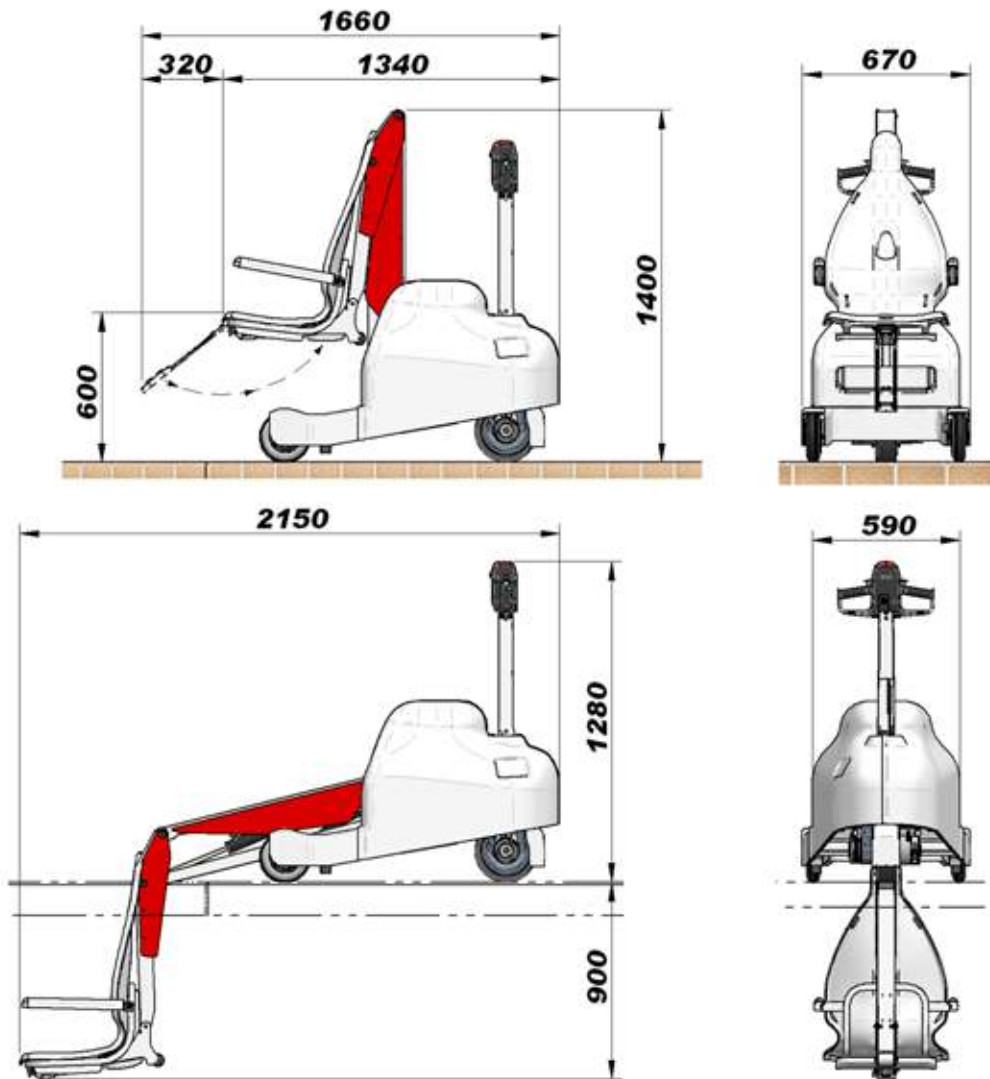


3

Specifications for PandaPool

- Maximum capacity: 150 kg
- **Maximum arm travel: 1500 mm**
- Depth of seat inside the water : 900 mm
- **Time of lowering with weight: 25 s**
- Time of lifting with weight: 18 s
- **Weight : 260 kg**
- 2 speed automatic handling
- **Autonomy: 100 working cycles**
- Automatic bar, forward motion by up and down control levers battery charge level indicator and emergency button
- **Rotating drive wheel radius: 200°**
- Hydroelectric box
- **Manual emergency operation system in case of failure of electric system**
- Automatic braking system integrated in the wheel
- **Safety braking system by means of automatic stoppers to prevent from excessive approach to the water**
- Infrared ground detector
- **Safety motion system by means of vertical bar switch off**
- 12 V battery, 24 V power
- **Battery charger**
- Zinc coated steel frame + 180° powder coating finish
- **2 point safety belt**
- 4 or 5 point harness (on request)
- **Headrest**
- Removable leg support
- **Handset to control up and down movements**
(on request)
- **Cover (on request)**

Measurements



T: 1300 240 298
E: info@pool-lift.com.au
www.pool-lift.com.au